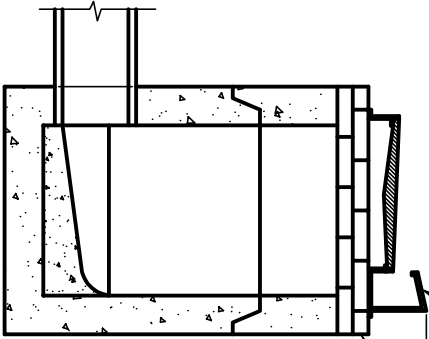




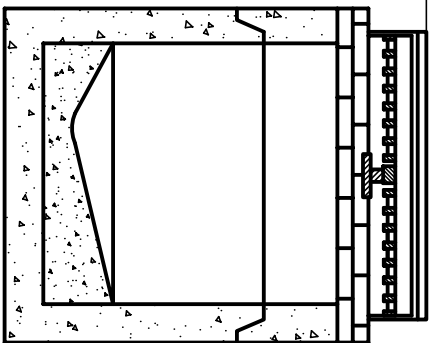
CITY OF
COLUMBIA
TENNESSEE

DOUBLE GRATE CURB INLET
(NTS)

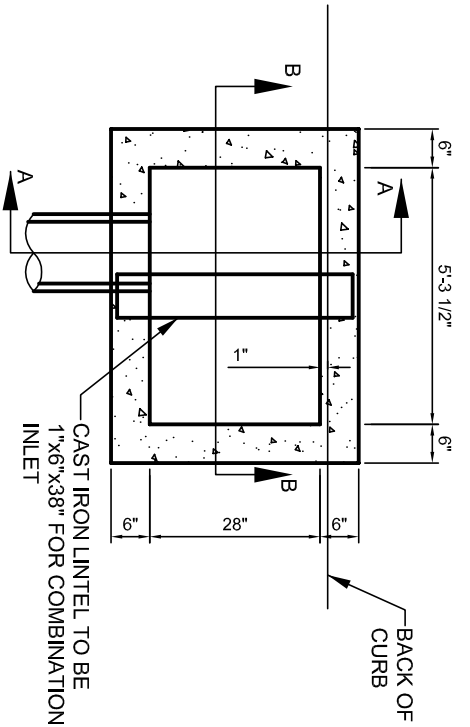
SECTION A-A



SECTION B-B



PLAN



- NOTES:
1. USE J.B. #3300V FOR 30" CURB & GUTTER AND J.B. #3103V FOR EXTRUDED CURB.
 2. CONCRETE TO BE 4000 psi AT 28 DAYS.
 3. REINFORCE WITH NO. 4 BARS GRADE 60.

DATE
4-23-2012

DWG. NO.

DD-02