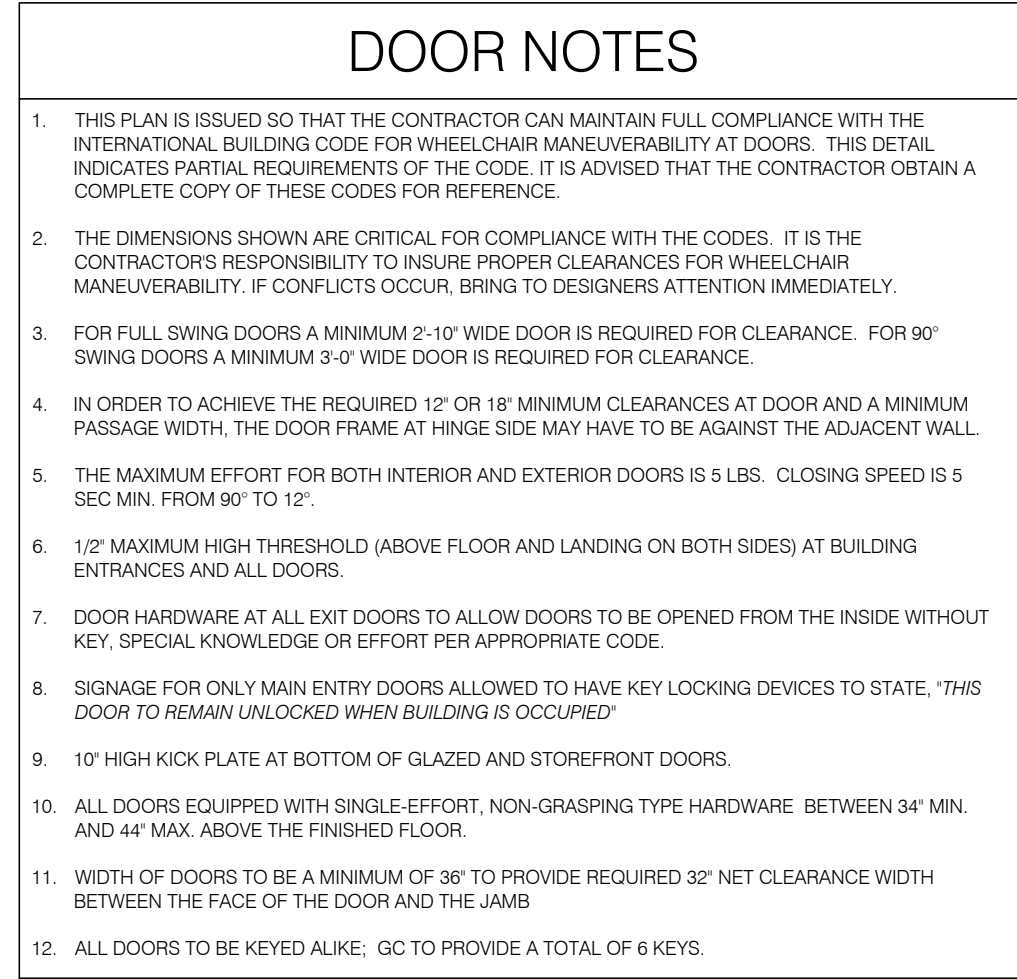
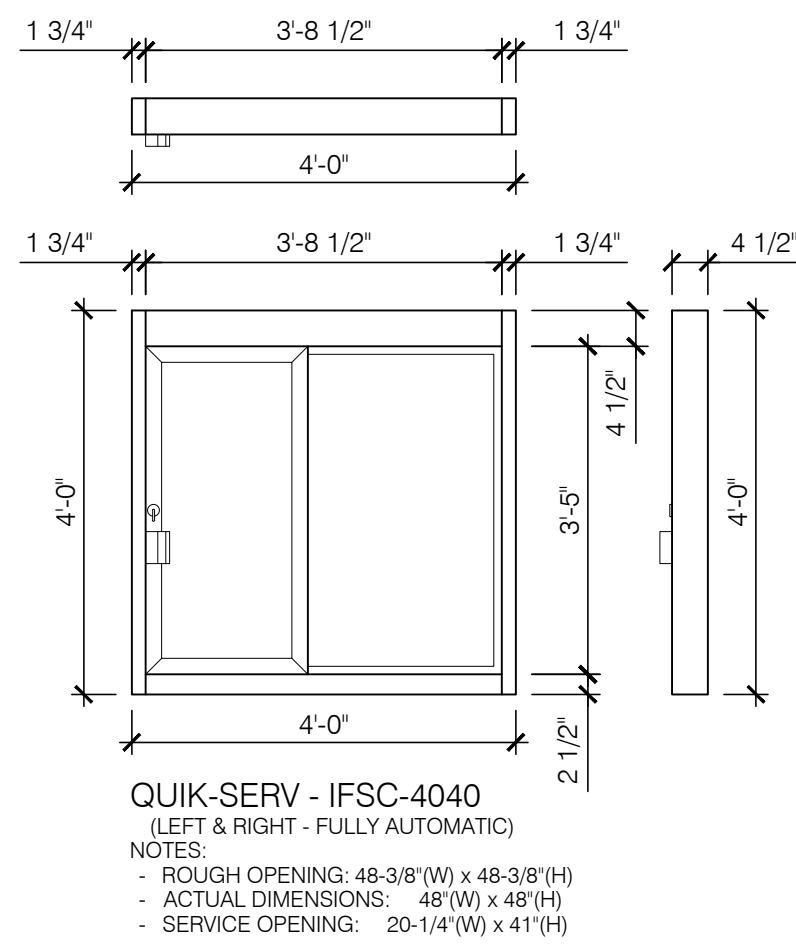
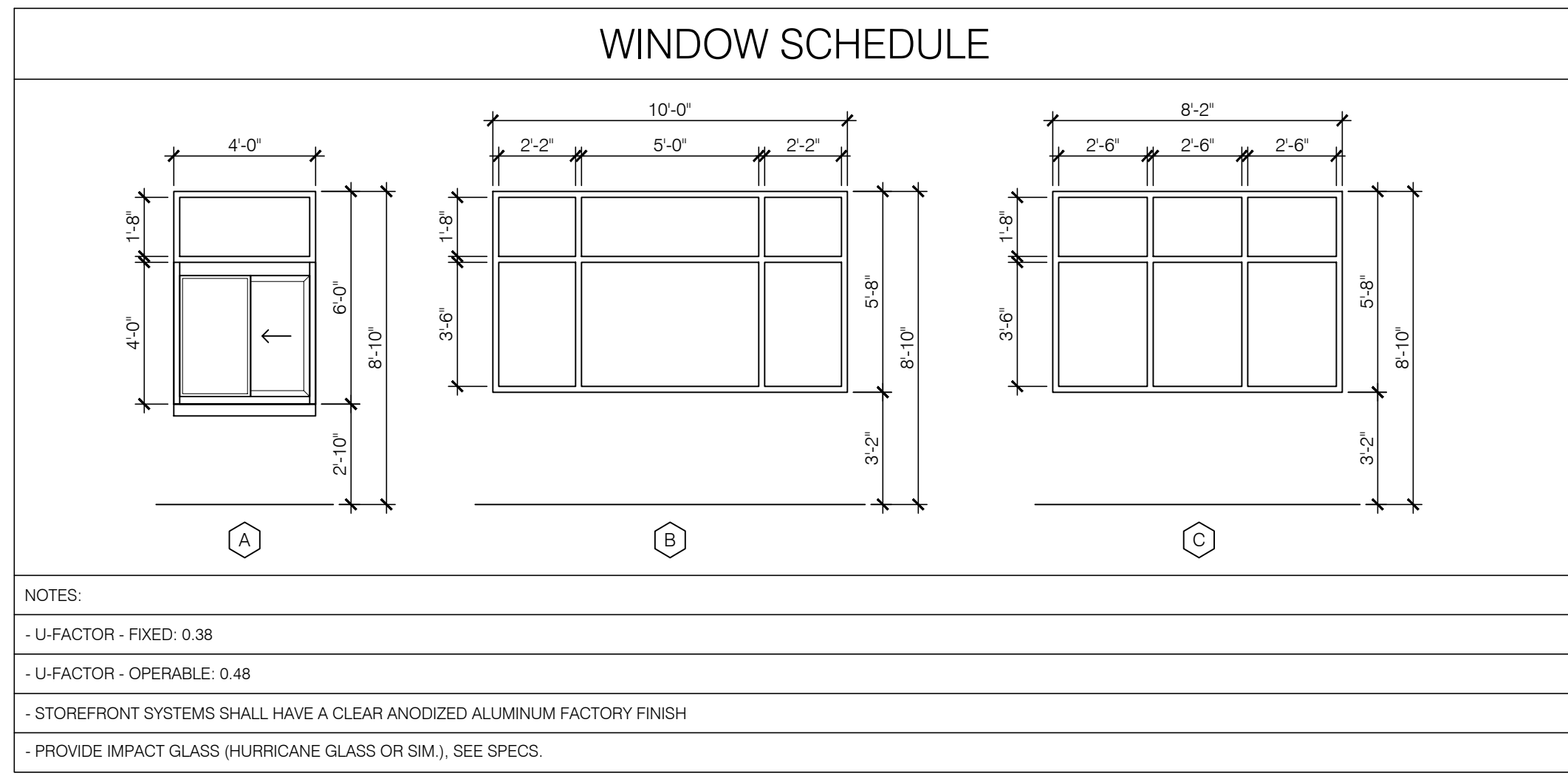


The name DUTCH BROS. and all associated logos, content, information, and other materials featured, contained herein, and made available by Dutch Bros., including but not limited to, the "hook and leaf" of the establishments and products, all text, images, colors, configurations, graphics, designs, illustrations, photographs, and pictures (collectively, the "Materials") are owned by and/or licensed by DB Franchising USA, LLC and are protected by copyright, trademark, trade dress, patent, and/or other intellectual property rights and unfair competition laws under the United States and foreign laws.



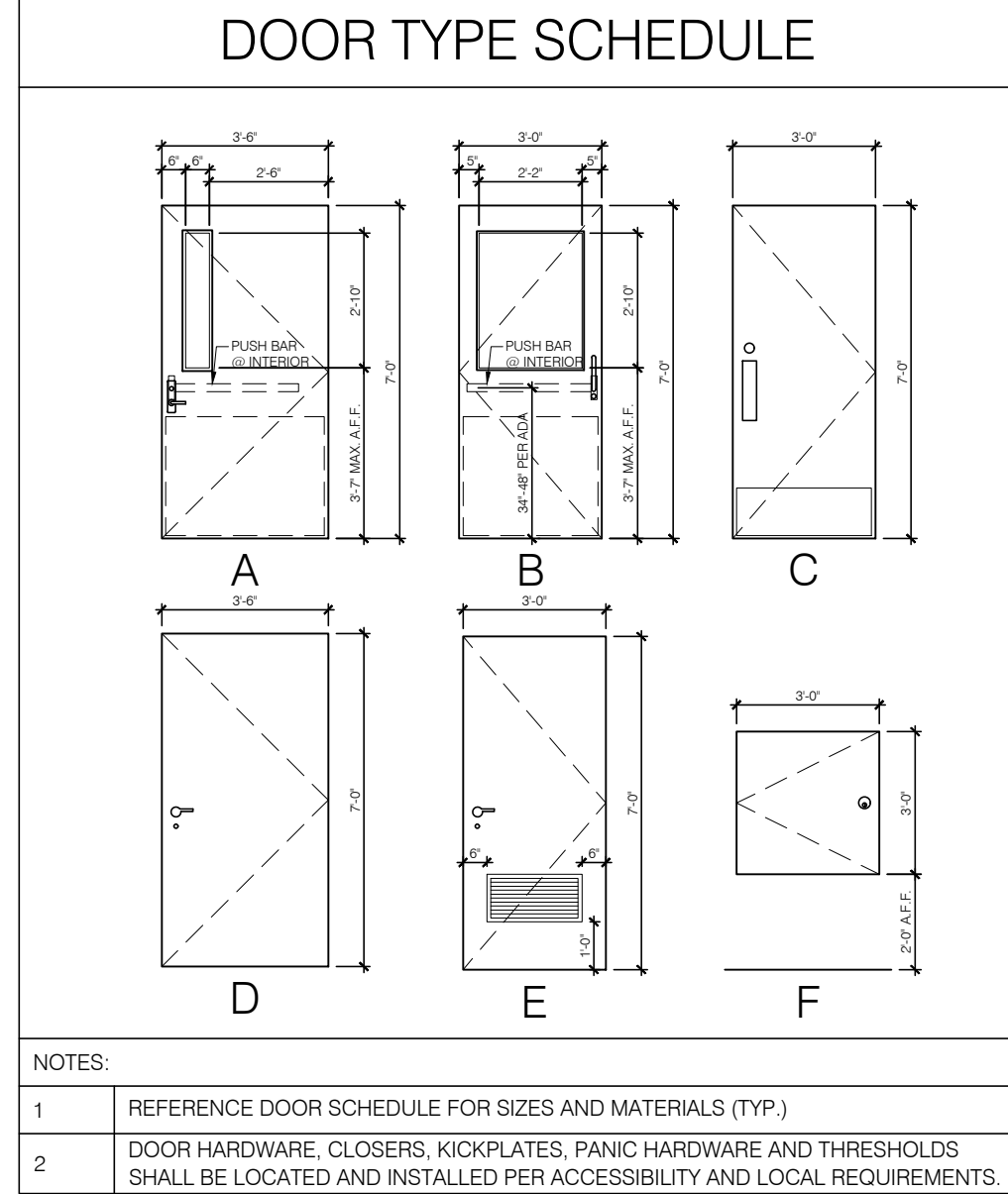
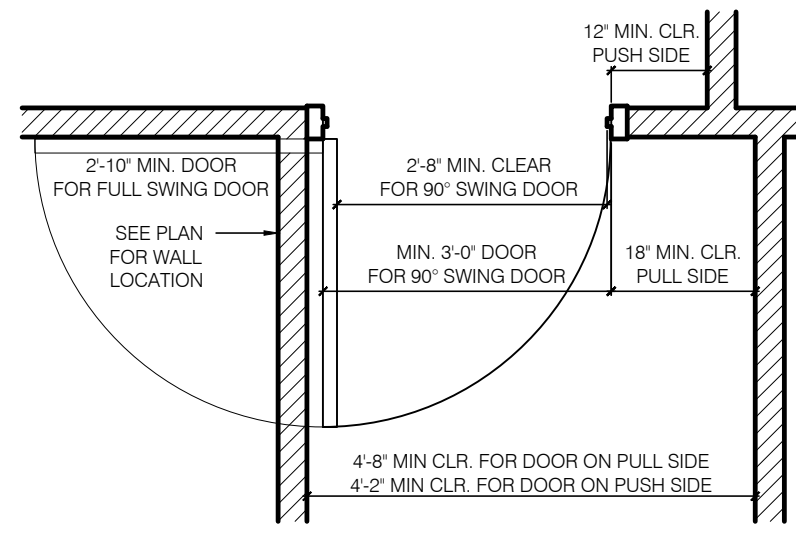
DOOR SCHEDULE

#	SIZE		TYPE	GLASS	MATERIAL		HARDWARE	NOTES:
	WIDTH	HEIGHT			DR.	FR.		
01	3'-6"	7'-0"	A	1	TEMP.	HM	HMD	GROUP 1 A,B,C,D,E,F
02	3'-0"	7'-0"	B	2	TEMP.	HM	HMD	GROUP 2 A,B,C,D,E,F
03	3'-0"	7'-0"	C	2	-	HM	HMD	GROUP 3 B,D,F
04	3'-6"	7'-0"	D	1	-	HM	HMD	GROUP 4 B
05	3'-0"	7'-0"	E	1	-	HM	HMD	GROUP 5 B
06	3'-0"	3'-0"	F	3	-	HM	HMD	GROUP 6 B

NOTES:

- HM: HOLLOW METAL, 16 GA.
- HMD: HOLLOW METAL WELDED & DIMPLED

A	ENSURE EMERGENCY HARDWARE IS IN WORKING CONDITION.
B	DOOR & FRAME SHALL BE PAINT GRADE & PAINTED PT-2
C	DOOR TO HAVE SIGN POSTED ABOVE THAT STATES: "THIS DOOR TO REMAIN UNLOCKED WHILE BUILDING IS OCCUPIED"
D	CLOSER SHALL BE BOLTED THROUGH DOOR LEAF & ARM MOUNTED USING HEAD-JAMB MOUNT.
E	PROVIDE ADA COMPLIANT THRESHOLD SET IN SILICONE SEALANT.
F	THE MAX PULL/PUSH EFFORT TO OPERATE DOORS SHALL NOT EXCEED 5 LBS. W/ EFFORT APPLIED TO RIGHT ANGLES TO HINGED DOORS.



HARDWARE GROUPS:

GROUP 1:

- 1 EA. HINGE - MARKAR, FM300, 84"
- 1 EA. LOCKSET - TRILOGY, T2 ET20L2700, WATERPROOF, US26D
- 1 EA. PANIC PUSH HARDWARE - VON DUPRIN 99, 626
- 1 EA. DOOR CLOSER - SARGENT 1431 RUO EN, US26D
- 1 EA. THRESHOLD - PEMKO 2716A
- 1 EA. DOOR SHOE - PEMKO 211APK
- 1 EA. DOOR SEAL - PEMKO AM888L
- 1 EA. FLOOR STOP & HOLDER - IVES FS43, US26D
- 1 EA. KICK PLATE - HAGER 190S, 40"x30", INTERIOR, US32D

GROUP 2:

- 1 EA. HINGE - MARKAR, FM300, 84"
- 1 EA. LOCKSET - TRILOGY, T2 ET20L2700, WATERPROOF, US26D
- 1 EA. PANIC PUSH HARDWARE - VON DUPRIN 99, 626
- 1 EA. DOOR CLOSER - SARGENT 1431 RUO EN, US26D
- 1 EA. THRESHOLD - PEMKO 2716A
- 1 EA. DOOR SHOE - PEMKO 211APK
- 1 EA. DOOR SEAL - PEMKO AM888L
- 1 EA. FLOOR STOP & HOLDER - IVES FS43, US26D
- 1 EA. KICK PLATE - HAGER 190S, 34"x30", INTERIOR, US32D

GROUP 3:

- 3 EA. HINGES - MCKINNEY T2714 4.5 X 4.5 NRP, US26D
- 1 EA. DEADBOLT - SCHLAGE B571 INDICATOR, 626
- 1 EA. PUSH PLATE - IVES, 8200, 6"x16", US26D
- 1 EA. HANDLE PULL - IVES, 8303, 6"x16", US26D
- 1 EA. DOOR CLOSER - SARGENT 1431 RUO EN, US26D
- 1 EA. KICK PLATE - HAGER 190S, 34"x12", US32D FINISH

GROUP 4:

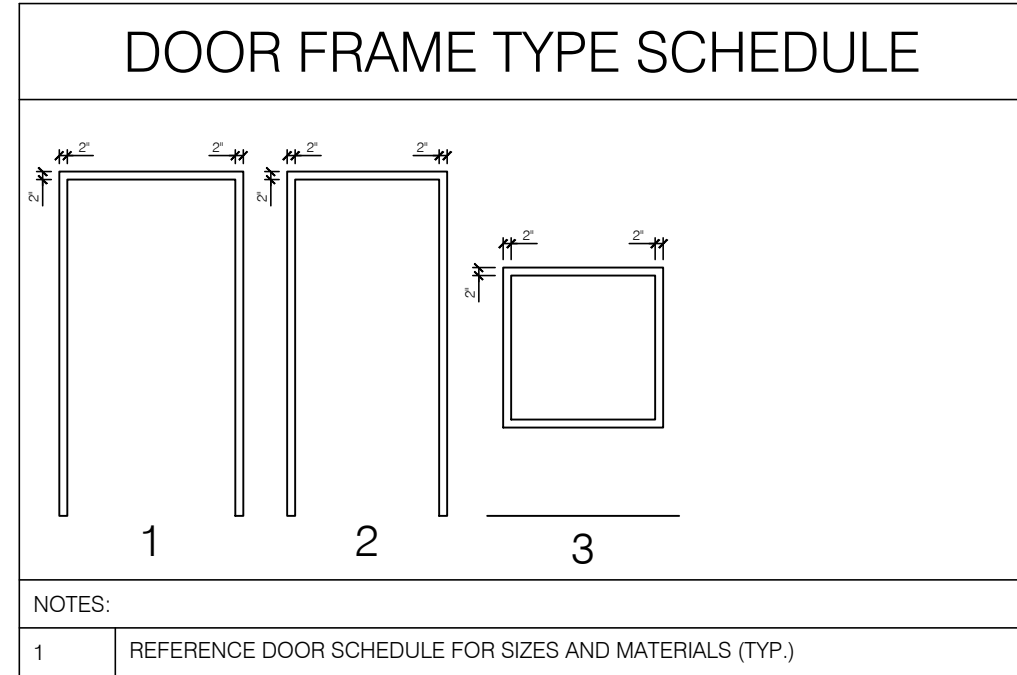
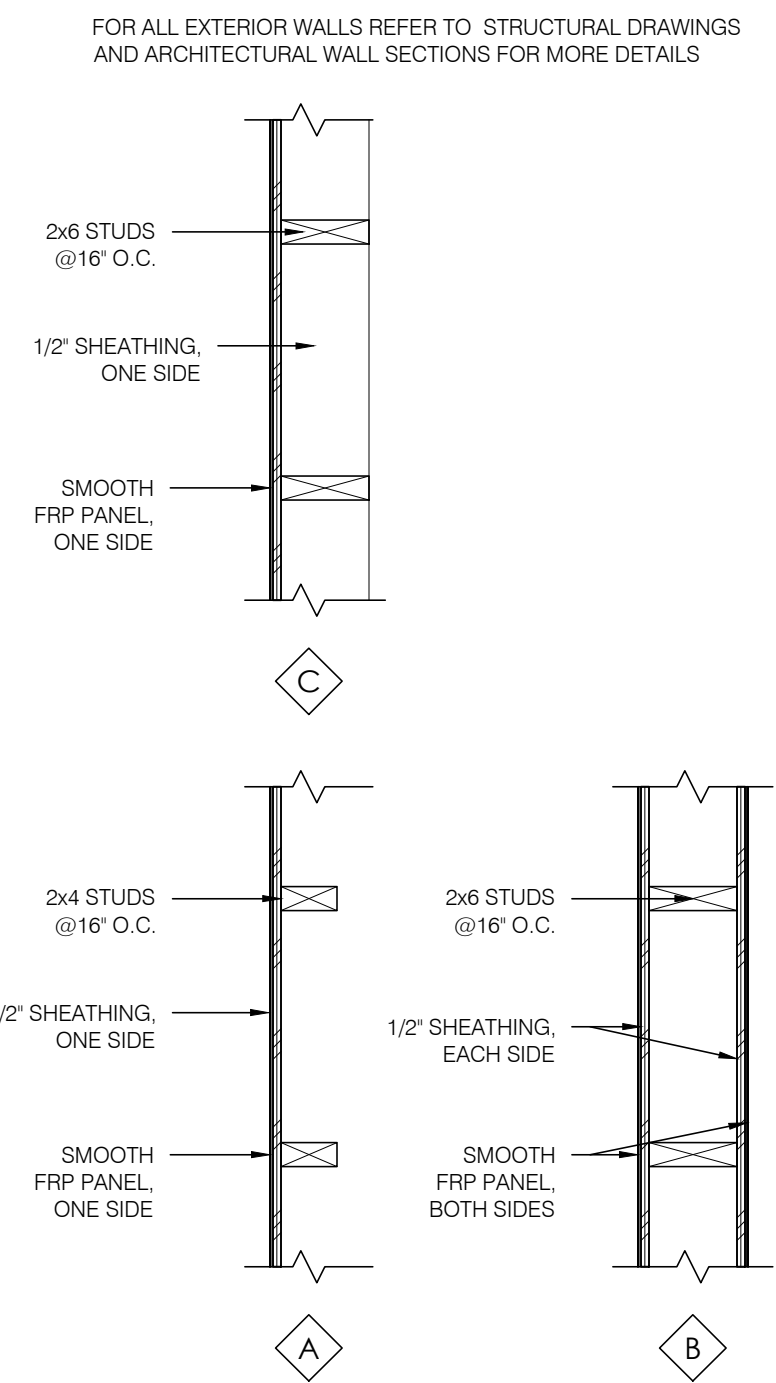
- 3 EA. HINGES - MCKINNEY T2714 4.5 X 4.5 NRP, US26D
- 1 EA. LOCKSET - SCHLAGE L9453 ENTRANCE LOCK SCHLAGE 06 STANDARD HANDLE SATIN FINISH FULL FACE, ESCUTCHEON L583-363 EZ TURN
- 1 EA. LATCH GUARD - STAINLESS STEEL, 7"
- 1 EA. THRESHOLD - PEMKO 1754-72
- 1 EA. DOOR SHOE - PEMKO 211APK
- 1 EA. DOOR SEAL - PEMKO AM888L
- 1 EA. KICK DOWN - IVES FS555, 5", BLK FINISH

GROUP 5:

- 3 EA. HINGES - MCKINNEY T2714 4.5 X 4.5 NRP, US26D
- 1 EA. LOCKSET - SCHLAGE L9453 ENTRANCE LOCK SCHLAGE 06 STANDARD HANDLE SATIN FINISH FULL FACE, ESCUTCHEON L583-363 EZ TURN
- 1 EA. DOOR VENT - ROCKWOOD, LV-IV, 24"x12"
- 1 EA. KICK DOWN - IVES FS555, 5", BLK FINISH

GROUP 6:

- 2 EA. HINGES - MCKINNEY T2714 4.5 X 4.5 NRP, US26D FINISH
- 1 EA. DEAD BOLT - SCHLAGE JD60630
- 1 EA. DOOR SEAL - PEMKO AM888L

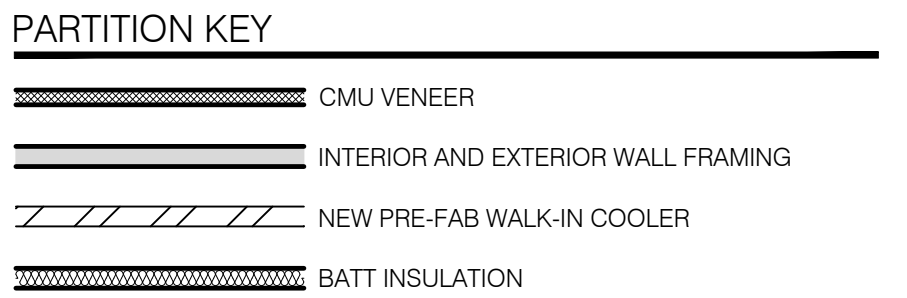


FINISH SCHEDULE

TAG	FIN. DESCRIPTION	MFR.	MODEL	REMARKS
FLOOR				
FF-1	FLOOR TILE - TEXTURED	BEDROSIANS	6"X6" DOTTI DIAMOND - ANTHRACITE R9 - MATTE	PRODUCTION AREA FIELD TILE
FF-2	FLOOR TILE - SMOOTH	BEDROSIANS	6"X6" DOTTI DIAMOND - ANTHRACITE R12 - MATTE	PROVIDE UNDER EQUIPMENT
TILE SUBSTRATE	EPOXY GROUT	LATICRETE	IG 2000 IND. EPOXY GROUT #2 KIT BLACK	JOB PACK
		LATICRETE	STRECTALOCK IG 2000 PART A/B EPOXY GROUT	
		LATICRETE	STRECTALOCK PART C COLOR PACKET	
		LATICRETE	PERMACOLOR GROUT	
		LATICRETE	4-XLT GRAY	
FF-3	CONC. SLAB	-	-	-
BASE				
BF-1	WALL BASE - COVE	BEDROSIANS	4"X8" SMOOTH COVE - ANTHRACITE	SANITARY COVE
WALL				
WF-1	(FRP) FIBERGLASS REINFORCED PANEL	MARLITE	S 100G - 4'x10' PANELS	COLOR: WHITE; PROVIDE ALL NECESSARY TRIM PIECES
WF-2	1/2" CDX	-	-	COLOR: OUTDOOR LATEX WHITE PAINT
GUARDS				
CG	CORNER GUARD	AIS INDUSTRIES	CUSTOM	120" LONG W/ 2" WINGS, DRILLED, 90 DEGREE SHARP CORNER, BRUSHED FINISH
WG	WALL GUARD	AIS INDUSTRIES	CUSTOM	48" WIDE, WRAP FROM SERVICE WINDOW SILL TO TOP OF COVE BASE, BRUSHED FINISH
CEILING				
CLG-1	VINYL FACED ACT	USG	3260 - SHEETROCK BRAND LAY-IN CEILING PANEL	FLAT WHITE, SMOOTH
CLG-2	FRP OVER 1/2" CDX	MARLITE	S 100G - 4'x10' PANELS	COLOR: WHITE; PROVIDE ALL NECESSARY TRIM PIECES; PROVIDE ADHESIVE AND PAN HEAD SCREWS AT 24" O.C., E.W.
PAINT				
PT-1	BLDG DB LIGHT GRAY	SHERWIN-WILLIAMS	TBD	-
PT-2	BLDG DB DARK GRAY	SHERWIN-WILLIAMS	TBD	-
PT-3	BLDG DB BLUE	SHERWIN-WILLIAMS	TBD	-
PT-4	-	SHERWIN-WILLIAMS	SW-7006 - EXTRA WHITE	SEMI-GLOSS

- ### GENERAL NOTES:
- ALL DIMENSIONS FROM SLAB EDGE/ EXTERIOR FACE OF SHEATHING TO FACE OF STUD TO CENTERLINE OF FIXTURES UNLESS OTHERWISE NOTED. SLAB EDGE AND EXTERIOR FACE OF WALL SHEATHING ARE ALIGNED.
 - G.C. TO VERIFY ALL DIMENSIONS IN THE FIELD BEFORE COMMENCING CONSTRUCTION.
 - ALL INTERIOR FINISHES SHALL COMPLY WITH SECTION 803. INTERIOR FINISH MATERIALS APPLIED TO WALL AND CEILINGS SHALL BE TESTED AS SPECIFIED IN SECTION 803.

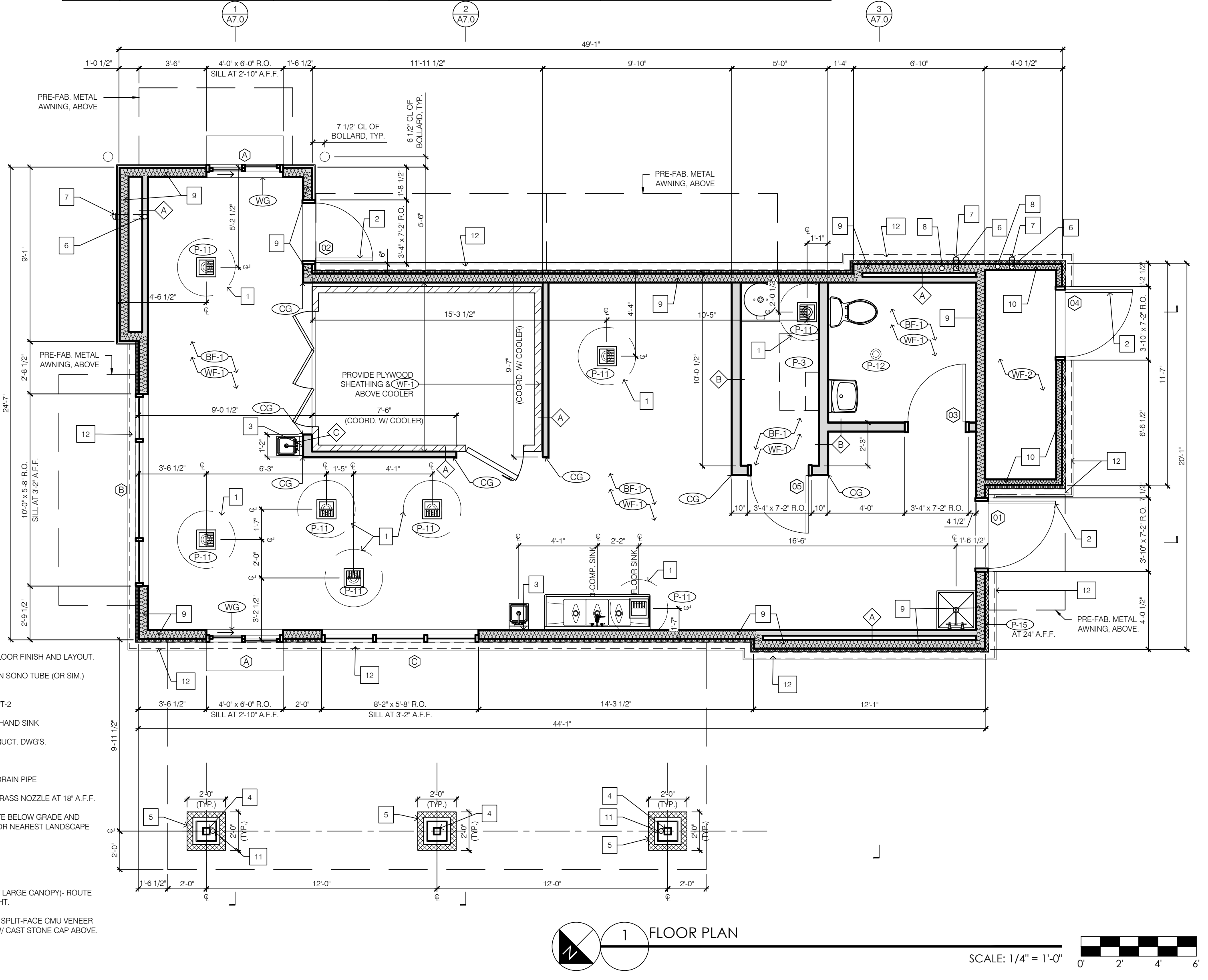
FLAME SPREAD RATINGS:
WALL TILE - CLASS A - <25
WALL PAINT - CLASS A - <5
PLASTIC LAMINATE - CLASS A - <25
FRP PANELS - CLASS A - <25
STAINLESS STEEL CORNER GUARDS - CLASS A - <25
CEILING TILE - CLASS A - <25
 - FIRE BLOCKING MUST BE PROVIDED IN ACCORDANCE WITH SECTION 718.2 AT THE FOLLOWING LOCATIONS:
 - IN CONCEALED SPACES OF STUD WALLS AND PARTITIONS, INCLUDING FURRED SPACES, AT THE CEILING AND FLOOR LEVELS.
 - IN CONCEALED SPACES OF STUD WALLS AND PARTITIONS, INCLUDING FURRED SPACES, AT 10-FOOT INTERVALS ALONG THE LENGTH OF THE WALL.
 - AT THE INTERCONNECTIONS BETWEEN CONCEALED VERTICAL AND HORIZONTAL SPACES SUCH AS OCCUR AT SOFFITS, DROP CEILINGS AND COVE CEILINGS.
 - IN CONCEALED SPACES BETWEEN STAIR STRINGERS AT THE TOP AND BOTTOM OF THE RUN AND BETWEEN STUDS ALONG AND IN LINE WITH THE RUN OF STAIRS IF THE WALL UNDER STAIRS IS UNFINISHED.
 - IN OPENINGS AROUND VENTS, PIPES, DUCTS, CHIMNEYS, FIREPLACES AND SIMILAR OPENINGS WHICH AFFORD A PASSAGE FOR FIRE AT CEILINGS AND FLOOR LEVELS, WITH NONCOMBUSTIBLE MATERIALS.



NOTE: HAND-ACTIVATED DOOR-OPENING HARDWARE SHALL BE LOCATED 30 MIN. AND 44 MAX. INCHES ABOVE THE FLOOR. LATCHING AND LOCKING DOORS THAT ARE HAND-ACTIVATED AND WHICH ARE IN A PATH OF TRAVEL SHALL BE OPERABLE WITH A SINGLE EFFORT BY LEVER-TYPE HARDWARE, PANIC BARS, PUSH-PULL ACTIVATING BARS, OR OTHER HARDWARE DESIGNED TO PROVIDE PASSAGE WITHOUT REQUIRING THE ABILITY TO GRASP THE OPENING HARDWARE.

2 INTERIOR WALL ASSEMBLY TYPES
NOT TO SCALE

- NOTES:**
- REFERENCE SHEET A2.1 FOR FLOOR FINISH AND LAYOUT.
 - 1 36" DIAMETER FOUNDATION SONO TUBE (OR SIM.) BLOCK OUT. (TYP.)
 - 2 PAINT DOOR AND FRAME PT-2
 - 3 PROVIDE 2x BLOCKING AT HAND SINK
 - 4 STEEL TUBE POST- RE. STRUCT. DWGS.
 - 5 SPLIT-FACE CMU VENEER
 - 6 3" MIN. ROOF OVERFLOW DRAIN PIPE
 - 7 ROOF OVERFLOW DRAIN BRASS NOZZLE AT 18" A.F.F.
 - 8 4" ROOF DRAIN PIPE- ROUTE BELOW GRADE AND DAYLIGHT AT CURB FACE OR NEAREST LANDSCAPE ISLAND- RE. CIVIL PLANS.
 - 9 R-19 BATT. INSULATION
 - 10 R-13 BATT. INSULATION
 - 11 INTERNAL ROOF DRAIN (AT LARGE CANOPY)- ROUTE BELOW GRADE TO DAYLIGHT.
 - 12 STACKED BOND PATTERN SPLIT-FACE CMU VENEER BELOW SHOWN DASHED W/ CAST STONE CAP ABOVE.

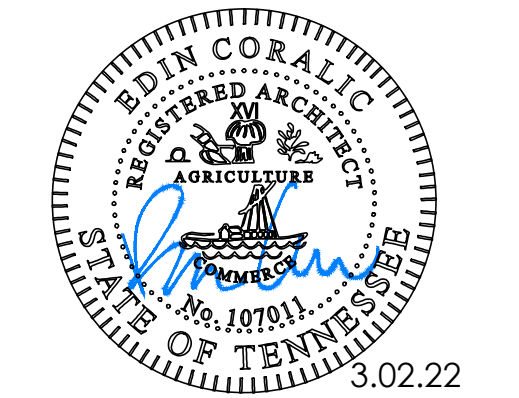


ARCHITECT
CORALIC, LLC
EDIN CORALIC
9700 MACKENZIE ROAD, STE. 222,
ST. LOUIS, MO 63123
p: 314.578.4953
e: edin@coralicarchitecture.com

STRUCTURAL ENGINEER
JAMES C. KREHER
JIM KREHER
208 N. MAIN STREET,
COLUMBIA, IL 62236
p: 618.281.8505
jimk@kreherengineering.com

MEP ENGINEER
Case Engineering
DARRRELL R. CASE
796 MERTUS CT.,
FENTON, MO 63026
T. 636.349.1600 F. 636.349.1730
dcase@caseengineeringinc.com

EDIN CORALIC ARCHITECT
No. 107011 - EXP. 11-30-2022



Project No: TN0602
Dutch Bros Coffee -
New Freestanding Store
813 S. JAMES CAMPBELL BLVD.,
COLUMBIA, TN 38401
for: Dutch Bros Coffee
110 SW 4TH ST. GRANITS PASS, OR 97526

ISSUED FOR PERMIT :
3.02.2022

REV. DATE:	DESCRIPTION:

SHEET NAME:

FLOOR PLAN/ DETAILS/
SCHEDULES

SHEET NUMBER:

A2.0